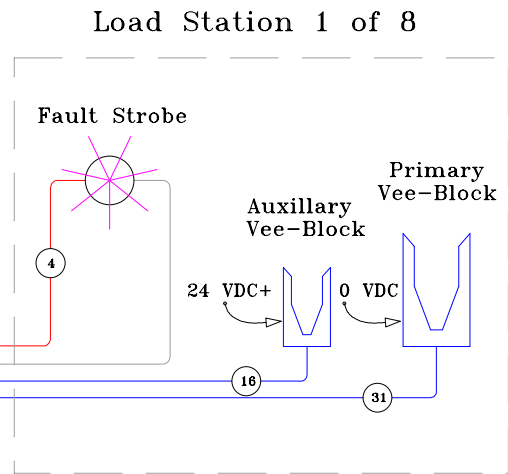
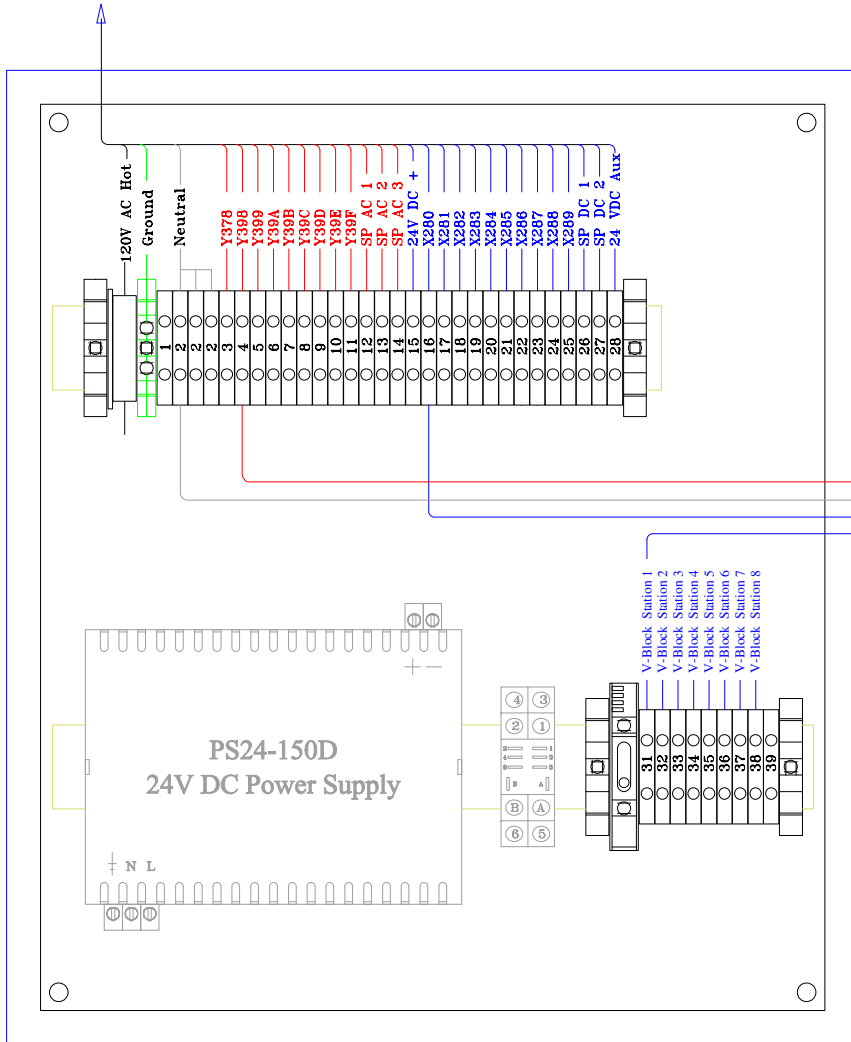


Load Bay Continuity Test External Wiring Overview

To Preplate Control Panel PLC Section

To Preplate Control Panel PLC Section

- 1 Black
- 1 Green
- 1 White
- 12 Red
- 14 Blue
- 29 - 14 avg MTW total



All wiring to Control Room is 14 avg MTW

Color	Term.	Label	Description
Black	Fuse	Hot	120V AC
Green	Ground	GND	Ground
White	2	NEUT	Neutral
Red	3	Y378	Power/Fuse Fault Light
Red	4	Y398	Alarm Strobe Bay 1
Red	5	Y399	Alarm Strobe Bay 2
Red	6	Y39A	Alarm Strobe Bay 3
Red	7	Y39B	Alarm Strobe Bay 4
Red	8	Y39C	Alarm Strobe Bay 5
Red	9	Y39D	Alarm Strobe Bay 6
Red	10	Y39E	Alarm Strobe Bay 7
Red	11	Y39F	Alarm Strobe Bay 8
Red	12	SP AC 1	Spare AC 1
Red	13	SP AC 2	Spare AC 2
Red	14	SP AC 3	Spare AC 3
Blue	15	24V DC +	24V DC +
Blue	16	X280	Continuity Fault Bay 1
Blue	17	X281	Continuity Fault Bay 2
Blue	18	X282	Continuity Fault Bay 3
Blue	19	X283	Continuity Fault Bay 4
Blue	20	X284	Continuity Fault Bay 5
Blue	21	X285	Continuity Fault Bay 6
Blue	22	X286	Continuity Fault Bay 7
Blue	23	X287	Continuity Fault Bay 8
Blue	24	X288	Power Check
Blue	25	X289	Lamp Test P.B.
Blue	26	SP DC 1	Spare DC 1
Blue	27	SP DC 2	Spare DC 2
Blue	28	28	24V DC + Aux Common

To Each Load Bay

BAY	MTW Avg	Color	Term.	Label	Description
1	14	Green	Ground		Ground
	14	White	2		Neutral
	14	Red	4	4	Alarm Strobe Bay 1
	12	Blue	31	31	0V DC -
2	12	Blue	16	16	Continuity Fault Bay 1
	14	Green	Ground		Ground
	14	White	2		Neutral
	14	Red	5	5	Alarm Strobe Bay 2
3	12	Blue	33	33	0V DC -
	12	Blue	18	18	Continuity Fault Bay 3
	14	Green	Ground		Ground
	14	White	2		Neutral
4	14	Red	6	6	Alarm Strobe Bay 3
	12	Blue	33	33	0V DC -
	12	Blue	18	18	Continuity Fault Bay 3
	5	14	Green	Ground	
14		White	2		Neutral
14		Red	7	7	Alarm Strobe Bay 4
12		Blue	34	34	0V DC -
6	12	Blue	19	19	Continuity Fault Bay 4
	14	Green	Ground		Ground
	14	White	2		Neutral
	14	Red	8	8	Alarm Strobe Bay 5
7	12	Blue	35	35	0V DC -
	12	Blue	20	20	Continuity Fault Bay 5
	14	Green	Ground		Ground
	14	White	2		Neutral
8	14	Red	10	10	Alarm Strobe Bay 7
	12	Blue	37	37	0V DC -
	12	Blue	22	22	Continuity Fault Bay 7
	8	14	Green	Ground	
14		White	2		Neutral
14		Red	11	11	Alarm Strobe Bay 8
12		Blue	38	38	0V DC -
12	Blue	23	23	Continuity Fault Bay 8	