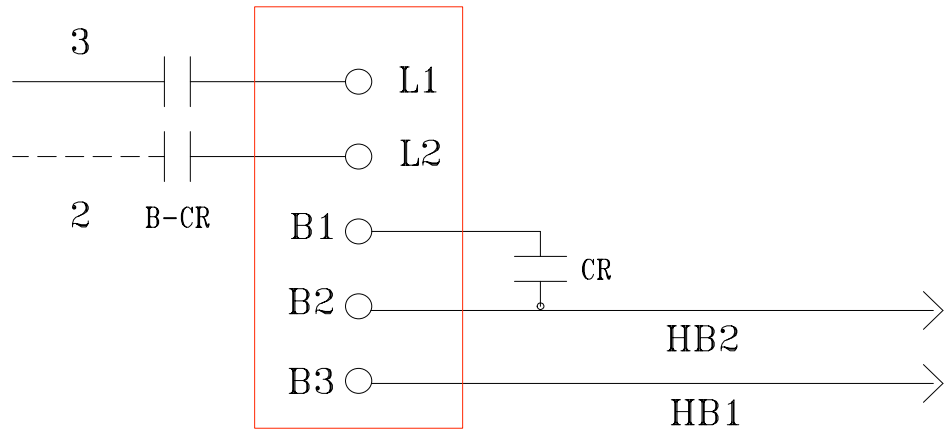
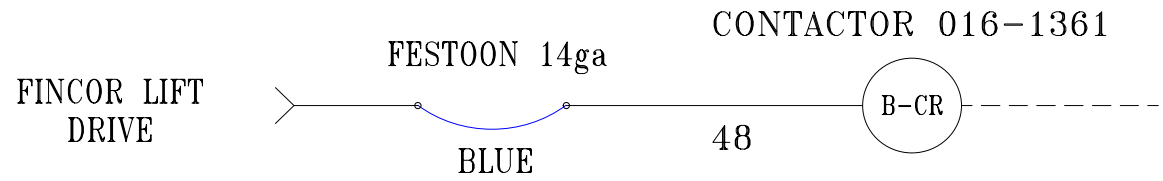


Robot S9 Brake Control


AC power from B-CR



DC power to brake coil



033-0117 REULAND BRAKE CONTROL

	Meridian Automotive Systems	
	TITLE Robot S9 Brake Control	
Torrance	File Name Robot S9 All Diagrams	REV 001
12.mar.2003	File Type TCW / DWG / PDF	SHEET 2 of 10